



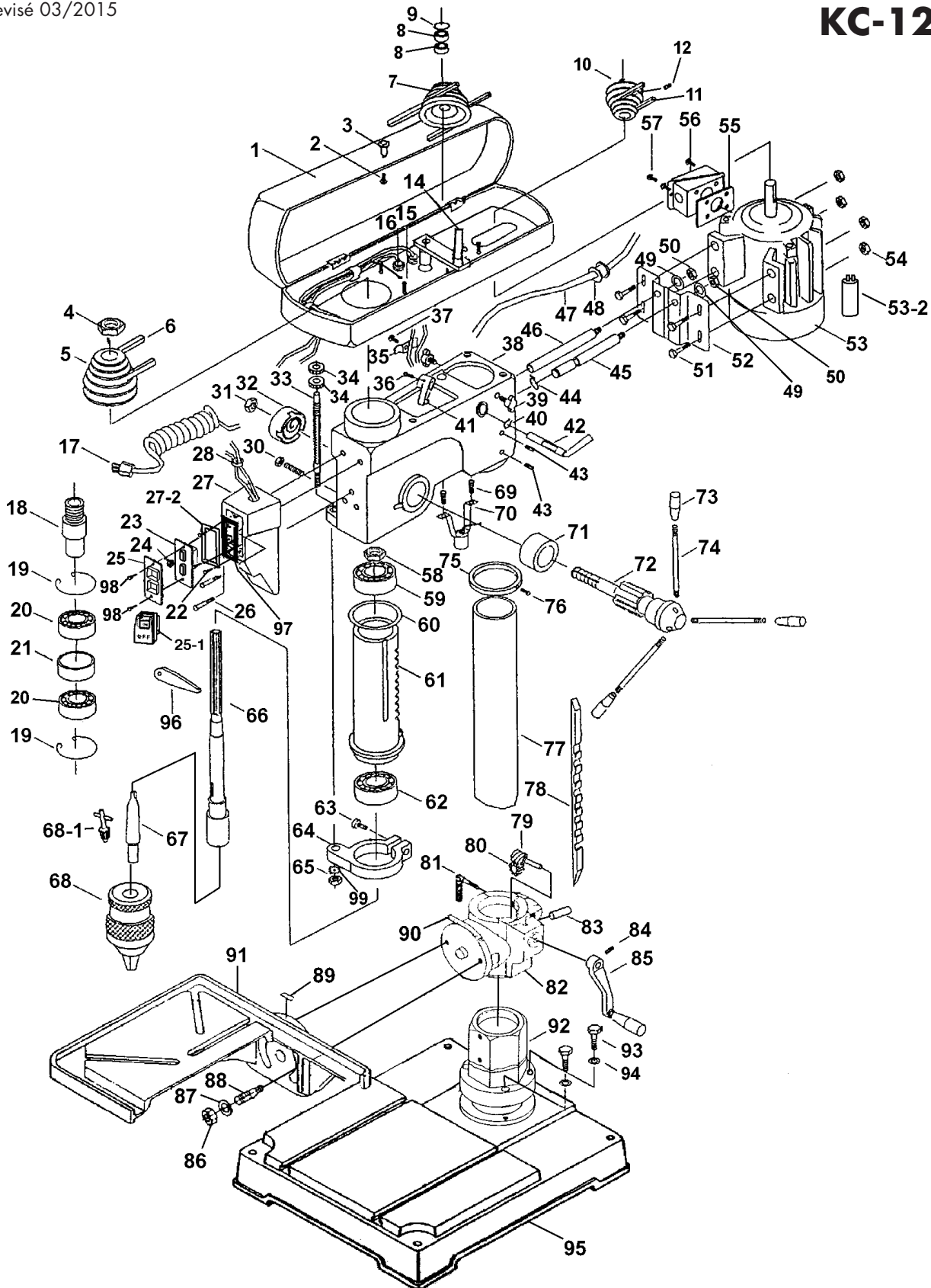
# Service Manual / Manuel de Service

## 22" Drill Press Perceuse À Colonne 22"



Revised/Revisé 03/2015

### KC-122FC





## Parts Pricing List / Liste de Prix des Pièces **KC-122FC**

| Diag. | Order # Com. | English Description           | Description Française            | Qty./Qté. | Price/Prix |
|-------|--------------|-------------------------------|----------------------------------|-----------|------------|
| 1     | 0201220010   | GUARD COVER                   | GARDE DES POULIES                | 1         | \$134.98   |
| 2     | 0201220020   | PAN HD. SCREW                 | VIS A TETE PLATE                 | 1         | \$2.02     |
| 3     | 0201220030   | COVER KNOB                    | BOUTON DU COUVERCLE              | 1         | \$3.82     |
| 4     | 0201220040   | SPINDLE NUT                   | ECROU DE L'ARBRE CONIQUE         | 1         | \$9.67     |
| 5     | 0201220050   | SPINDLE PULLEY                | POULIE DE L'ARBRE                | 1         | \$69.50    |
| 6     | 0201220060   | SPINDLE V-BELT                | COURROIE EN V                    | 1         | \$16.64    |
| 7     | 0201220070   | MIDDLE PULLEY                 | POULIE DU CENTRE                 | 1         | \$52.80    |
| 8     | 0201220080   | BALL BEARING                  | ROULEMENT A BILLES               | 2         | \$15.23    |
| 9     | 0201220090   | RETAINING RING                | ANNEAU DE RETENU                 | 1         | \$2.71     |
| 10    | 0201220100   | MOTOR PULLEY                  | POULIE DU MOTEUR                 | 1         | \$55.59    |
| 11    | 0201220110   | MOTOR V-BELT                  | COURROIE EN "V" DU MOTEUR        | 1         | \$13.84    |
| 12    | 0201220120   | SET SCREW                     | VIS SANS TETE                    | 1         | \$1.88     |
| 14    | 0201220140   | CENTER PULLEY SHAFT           | TIGE DE LA POULIE DU CENTRE      | 1         | \$26.92    |
| 15    | 0201220150   | PAN HD SCREW W/ WASHER        | VIS AVEC RONDELLE                | 4         | \$1.88     |
| 16    | 0201220160   | STRAIN RELIEF                 | ATTACHE CORDON                   | 3         | \$3.13     |
| 17    | 0201220170   | POWER CORD                    | CORDON D'ALIMENTATION            | 1         | \$33.32    |
| 18    | 0201220180   | PULLEY INSERT                 | MANCHON DE L'ARBRE CONIQUE       | 1         | \$55.59    |
| 19    | 0201220190   | RETAINING RING                | ANNEAU DE RETENU                 | 2         | \$2.71     |
| 20    | 0201220200   | BALL BEARING                  | ROULEMENT A BILLES               | 2         | \$24.70    |
| 21    | 0201220210   | BEARING SPACER                | ESPACEUR DU ROULEMENT            | 1         | \$4.94     |
| 22    | 0201220220   | PAN HD. SCREW                 | VIS A TETE PLATE                 | 3         | \$1.82     |
| 23    | 0201220230   | THIN BUTTON START-STOP SWITCH | INTERRUPTEUR BOUTON DEPART/ARRET | 1         | \$41.24    |
| 24    | 0201220240   | LIGHT SWITCH BUTTON           | INTERRUPTEUR POUR LUMIERE        | 1         | \$8.28     |
| 25    | 0201220250   | THIN HOLE SQ. BUTTON SW.COVER | PLAQUE BOUTON CARRE (ETROIT)     | 1         | \$22.19    |
| 25-1  | 0201220251   | NEW PADDLE SWITCH COVER       | NOUV. COUVERT POUR INTERR.       | 1         | \$22.19    |
| 26    | 0201220260   | PAN HD. SCREW                 | VIS A TETE PLATE                 | 3         | \$1.88     |
| 27    | 0201220270   | SWITCH BOX                    | BOÎTIER D'INTERRUPTEUR           | 1         | \$16.45    |
| 27-2  | 0201220272   | SWITCH METAL PLATE            | PLAQUE D'INTERRUPTEUR EN MÉTAL   | 1         | \$3.55     |
| 28    | 0201220280   | GROMMET                       | BAGUE DE PROTECTION              | 1         | \$4.10     |
| 30    | 0201220300   | HEX. NUT                      | ECROU HEX.                       | 1         | \$1.95     |
| 31    | 0201220310   | HEX. NUT (SPECIAL)            | ECROU HEXAGONAL (SPECIAL)        | 1         | \$2.99     |
| 32    | 0201220320   | TENSION SPRING ASSEMBLY       | RESSORT DE TENSION ASSEMBLE      | 1         | \$18.02    |
| 33    | 0201220330   | POST DEPTH STOP               | TIGE DE PROFONDEUR               | 1         | \$8.28     |
| 34    | 0201220340   | SPECIAL ROUND NUT             | ECROU ROND SPECIAL               | 2         | \$3.27     |
| 35    | 0201220350   | CORD CLAMP                    | RETENEUR DE CORDON               | 1         | \$2.71     |
| 36    | 0201220360   | CAP SCREW                     | BOULON A TETE CYLINDRIQUE        | 1         | \$2.09     |
| 37    | 0201220370   | SCREW                         | VIS                              | 1         | \$1.88     |
| 38    | 0201220380   | HEAD                          | TETE                             | 1         | \$332.57   |
| 39    | 0201220390   | THUMB SCREW                   | BOUTON DE VERROUILLAGE           | 1         | \$3.97     |
| 40    | 0201220400   | RETAINING RING                | ANNEAU DE RETENU                 | 1         | \$1.88     |
| 41    | 0201220410   | MOTOR BINDER LEVER            | LEVIER POUR TENSION DU MOTEUR    | 1         | \$13.84    |
| 42    | 0201220420   | LEVER SHAFT                   | TIGE DE TENSION                  | 1         | \$26.37    |
| 43    | 0201220430   | SET SCREW                     | VIS SANS TETE                    | 2         | \$2.43     |
| 44    | 0201220440   | RETAINING RING                | ANNEAU DE RETENU                 | 1         | \$2.71     |
| 45    | 0201220450   | MOTOR SUP. ROD (SLOT) (RIGHT) | TIGE DE SUPPORT (DROIT)          | 1         | \$18.02    |
| 46    | 0201220460   | MOTOR SUPPORT ROD (LEFT)      | TIGE DE SUPPORT (GAUCHE)         | 1         | \$16.63    |
| 47    | 0201220470   | MOTOR CORD                    | CORDON DU MOTEUR                 | 1         | \$13.84    |

Pricing subject to change without prior notice. / Prix sujet à changement sans préavis.



## Parts Pricing List / Liste de Prix des Pièces **KC-122FC**

| Diag. | Order # Com. | English Description        | Description Française            | Qty./Qté. | Price/Prix |
|-------|--------------|----------------------------|----------------------------------|-----------|------------|
| 48    | 0201220480   | STRAIN RELIEF              | ATTACHE CORDON                   | 1         | \$3.13     |
| 49    | 0201220490   | SPRING WASHER              | RONDELLE A RESSORT               | 2         | \$2.15     |
| 50    | 0201220500   | HEX. NUT                   | ECROU HEXAGONAL                  | 2         | \$2.15     |
| 51    | 0201220510   | HEX. BOLT                  | BOULON HEX.                      | 4         | \$2.15     |
| 52    | 0201220520   | MOTOR PLATE                | PLAQUE DU MOTEUR                 | 1         | \$16.63    |
| 53    | 0201220530   | MOTOR                      | MOTEUR                           | 1         | \$416.06   |
| 53-2  | 0201220532   | STARTING CAPACITOR         | CONDENSATEUR DE DEMARRAGE        | 1         | \$41.54    |
| 54    | 0201220540   | NUT                        | ECROU                            | 4         | \$2.43     |
| 55    | 0201220550   | RUBBER PLATE               | ISOLANT EN CAOUTCHOUC            | 1         | \$3.41     |
| 56    | 0201220560   | MOTOR JUNCTION BOX         | BOITIER DE JONCTION DU MOTEUR    | 1         | \$4.66     |
| 57    | 0201220570   | SCREW                      | VIS                              | 2         | \$1.88     |
| 58    | 0201220580   | SPINDLE NUT                | ECROU DE L'AXE                   | 1         | \$4.94     |
| 59    | 0201220590   | BALL BEARING               | ROULEMENT A BILLES               | 1         | \$23.58    |
| 60    | 0201220600   | RUBBER GASKET              | JOINT EN CAOUTCHOUC              | 1         | \$5.49     |
| 61    | 0201220610   | QUILL                      | MANCHON (QUILLE)                 | 1         | \$82.49    |
| 62    | 0201220620   | BALL BEARING               | ROULEMENT A BILLES               | 1         | \$24.70    |
| 63    | 0201220630   | CAP SCREW                  | BOULON A TETE CYLINDRIQUE        | 1         | \$2.23     |
| 64    | 0201220640   | CLAMPING SEAT DEPTH STOP   | SUPPORT DE LA TIGE DE PROFONDEUR | 1         | \$19.41    |
| 65    | 0201220650   | HEX. NUT                   | ECROU HEX.                       | 1         | \$1.95     |
| 66    | 0201220660   | SPINDLE                    | AXE DE LA QUILLE                 | 1         | \$133.38   |
| 67    | KAT-44       | CHUCK ARBOR (ACC.)         | ARBRE DE MANDRIN (ACC.)          | 1         | -          |
| 68    | KDC-34       | 3/4" CHUCK (ACC.)          | MANDRIN 3/4" (ACC.)              | 1         | -          |
| 68-1  | KM-005       | 3/4" CHUCK KEY (ACC.)      | CLÉ DE MANDRIN 3/4" (ACC.)       | 1         | -          |
| 69    | 0201220690   | SCREW                      | VIS                              | 2         | \$1.88     |
| 70    | 0201220700   | LAMP BRACKET               | SUPPORT DE LA LUMIERE            | 1         | \$10.65    |
| 71    | 0201220710   | PINION SPACER              | BAGUE D'ESPACEMENT DU PIGNON     | 1         | \$29.02    |
| 72    | 0201220720   | COMPLETE PINION SHAFT      | PIGNON COMPLET                   | 1         | \$124.88   |
| 73    | 0201220730   | HANDLE KNOB                | BOUTON DE POIGNEE                | 3         | \$4.94     |
| 74    | 0201220740   | FEEDING HANDLE             | POIGNEE DE DESCENTE              | 3         | \$19.28    |
| 75    | 0201220750   | RACK COLLAR                | COLLET DE LA CREMAILLIERE        | 1         | \$17.74    |
| 76    | 0201220760   | SCREW                      | VIS                              | 1         | \$1.95     |
| 77    | 0201220770   | COLUMN (92MM)              | COLONNE (92MM)                   | 1         | \$152.93   |
| 78    | 0201220780   | RACK                       | CREMAILLIERE                     | 1         | \$40.84    |
| 79    | 0201220790   | WORM SHAFT                 | TIGE ENGRENAGE SANS FIN          | 1         | \$18.02    |
| 80    | 0201220800   | HELICAL GEAR               | ENGRENAGE HELICOIDALE            | 1         | \$16.63    |
| 81    | 0201220810   | COLUMN BRACKET LOCK HANDLE | POIGNEE DE VERROUILLAGE/COLONNE  | 1         | \$13.71    |
| 82    | 0201220820   | COLUMN BRACKET ASS'Y       | SUPPORT DE COLONNE ASSEMBLE      | 1         | \$238.15   |
| 83    | 0201220830   | GEAR SHAFT                 | TIGE DE L'ENGRENAGE              | 1         | \$6.88     |
| 84    | 0201220840   | SET SCREW                  | VIS SANS TETE                    | 1         | \$1.88     |
| 85    | 0201220850   | CRANK HANDLE               | MANIVELLE D'ELEVATION            | 1         | \$18.02    |
| 86    | 0201220860   | HEX. NUT                   | ECROU HEX.                       | 2         | \$2.71     |
| 87    | 0201220870   | WASHER                     | RONDELLE                         | 2         | \$2.15     |
| 88    | 0201220880   | STUD                       | TIGE FILETEE                     | 2         | \$11.89    |
| 89    | 0201220890   | INDICATING SCALE           | REGLE INDICATRICE                | 1         | \$3.13     |
| 90    | 0201220900   | SCALE LABEL                | ECHELLE D'ANGLE                  | 1         | \$3.69     |
| 91    | 0201220910   | TABLE                      | TABLE                            | 1         | \$304.74   |
| 92    | 0201220920   | COLUMN HOLDER              | PIED-SUPPORT DE COLONNE          | 1         | \$137.55   |

Pricing subject to change without prior notice. / Prix sujet à changement sans préavis.



## ® Parts Pricing List / Liste de Prix des Pièces **KC-122FC**

| Diag. | Order # Com. | English Description       | Description Française     | Qty./Qté. | Price/Prix |
|-------|--------------|---------------------------|---------------------------|-----------|------------|
| 93    | 0201220930   | HEX. BOLT                 | BOULON HEX.               | 3         | \$3.27     |
| 94    | 0201220940   | SPRING WASHER             | RONDELLE A RESSORT        | 3         | \$2.15     |
| 95    | 0201220950   | BASE                      | BASE                      | 1         | \$333.89   |
| 96    | 0201220960   | WEDGE                     | COIN A CALER              | 1         | \$7.87     |
| 97    | 0201220970   | RUBBER DAMPENER           | CAOUTCHOUC ANTI-VIBRATION | 1         | \$4.10     |
| 98    | 0201220980   | PAN HD. SCREW             | VIS A TETE PLATE          | 2         | \$2.30     |
| 99    | 0201220990   | STAR WASHER               | RONDELLE ETOILEE          | 1         | \$2.15     |
|       | 020122MBIL   | BILINGUAL MANUAL KC-122FC | MANUEL BILINGUE KC-122FC  | 1         | \$18.15    |