



Service Manual / Manuel de Service

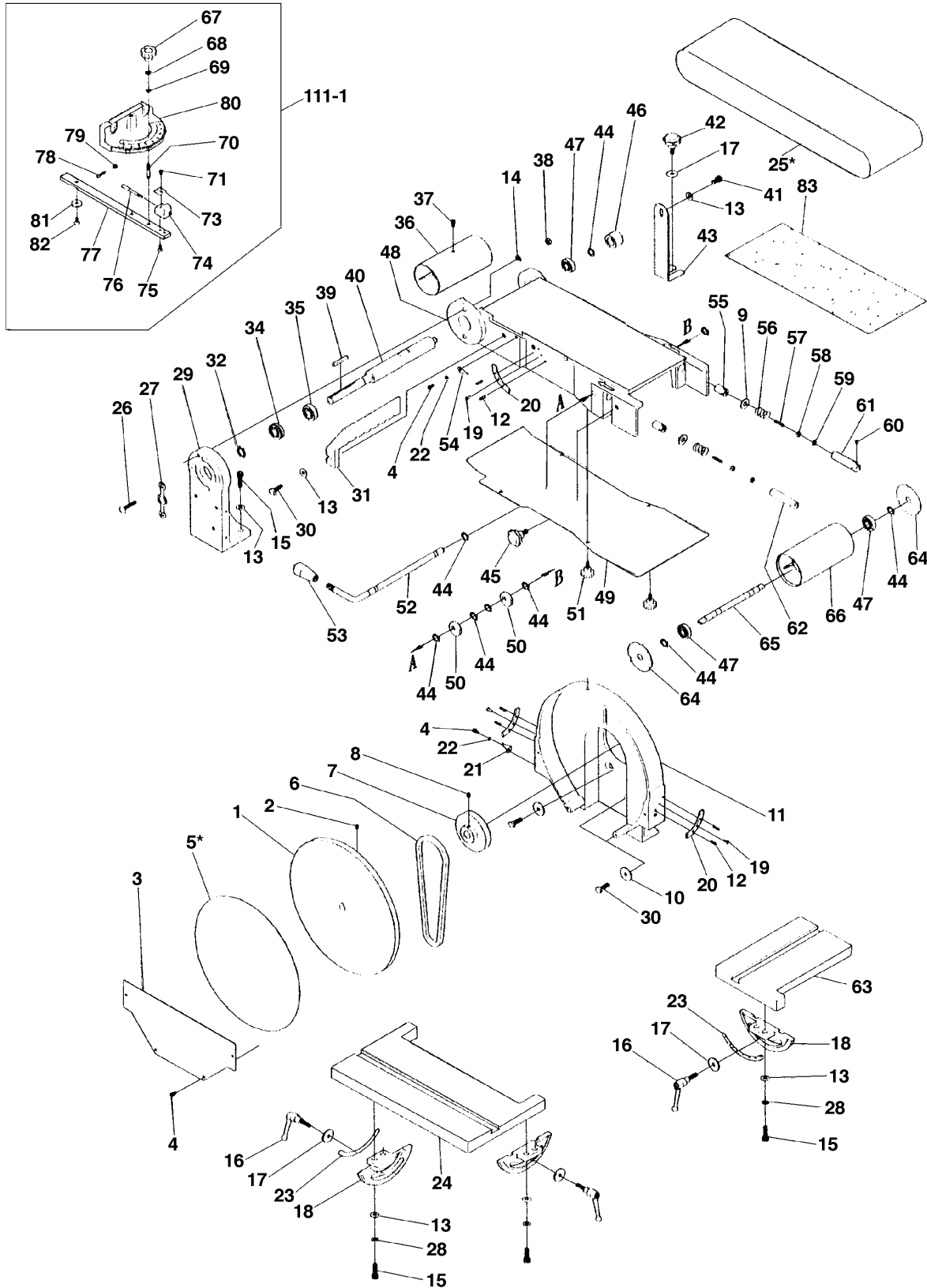
6" x 48" Belt & 12" Disc Sander
Ponceuse à Courroie 6" x 48" et Disque 12"



Revised/Revisé 03/2015

Main Diagram / Diagramme Principale

KC-788FX





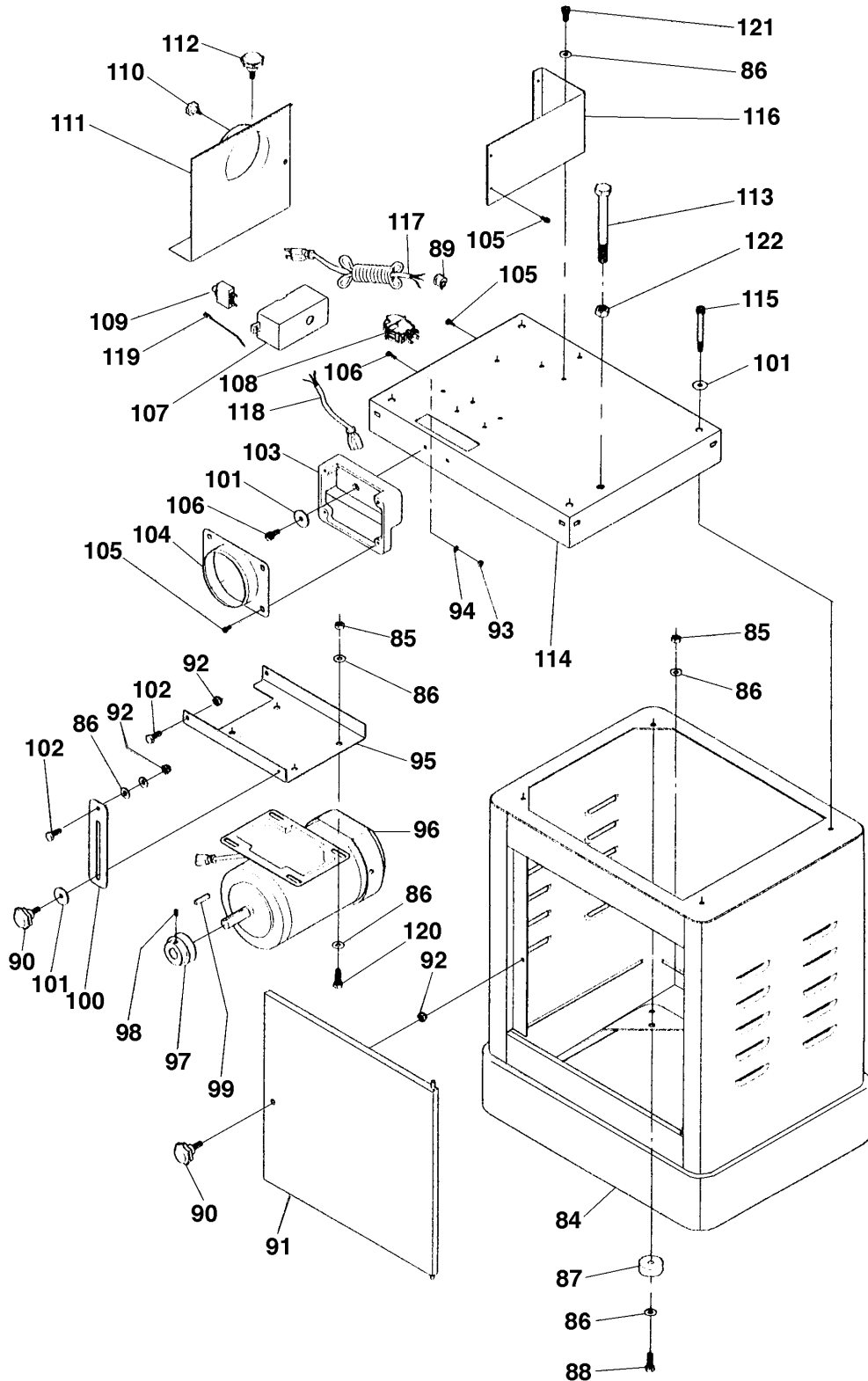
Service Manual / Manuel de Service

6" x 48" Belt & 12" Disc Sander
Ponceuse à Courroie 6" x 48" et Disque 12"



Motor & Base Diagram / Diagramme du Moteur et de la Base

KC-788FX





® Parts Pricing List / Liste de Prix des Pièces **KC-788FX**

Diag.	Order # Com.	English Description	Description Française	Qty./Qté.	Price/Prix
1	1307880010	12" ALUMINUM DISC	DISQUE EN ALUMINIUM 12"	1	\$166.63
2	1307880020	SET SCREW	VIS SANS TETE	1	\$1.88
3	1307880030	DISC COVER PLATE	COUVERCLE DE PROTECTION	1	\$24.56
4	1307880040	CAP SCREW	BOULON A TETE CYLINDRIQUE	6	\$1.82
5	SD-12	SANDING DISC	DISQUE DE PONCAGE	1	-
6	1307880060	V-BELT	COURROIE EN "V"	1	\$15.23
7	1307880070	DISC PULLEY	POULIE DU DISQUE	1	\$26.23
8	1307880080	SET SCREW	VIS SANS TETE	1	\$2.02
9	1307880090	WASHER	RONDELLE	1	\$2.02
10	1307880100	WASHER	RONDELLE	5	\$2.02
11	1307880110	DISC GUARD	PROTECTEUR DU DISQUE	1	\$187.85
12	1307880120	SPRING PIN	GOUPILLE A RESSORT	6	\$2.30
13	1307880130	WASHER	RONDELLE	10	\$1.95
14	1307880140	SPRING WASHER	RONDELLE A RESSORT	6	\$2.02
15	1307880150	CAP SCREW	BOULON A TETE CYLINDRIQUE	8	\$2.02
16	1307880160	LOCK HANDLE	POIGNEE DE VERROUILLAGE	3	\$13.01
17	1307880170	WASHER	RONDELLE	4	\$2.02
18	1307880180	TRUNNION	TOURILLON	3	\$35.97
19	1307880190	RIVET	RIVET	3	\$1.88
20	1307880200	SLIDE	GLISSIERE POUR TOURILLON	3	\$7.44
21	1307880210	POINTER	INDICATEUR	1	\$3.97
22	1307880220	SPRING WASHER	RONDELLE A RESSORT	2	\$2.02
23	1307880230	ANGLE SCALE	ECHELLE DES ANGLES	2	\$6.05
24	1307880240	DISC TABLE	TABLE DU DISQUE	1	\$219.86
25	SB-648	SANDING BELT	COURROIE DE PONCAGE	1	-
26	1307880260	CARRIAGE BOLT	BOULON DE CARROSSERIE	2	\$2.23
27	1307880270	TILTING JOINT	JOINT D'INCLINAISON	1	\$7.44
28	1307880280	SPRING WASHER	RONDELLE A RESSORT	3	\$2.02
29	1307880290	PIVOT BRACKET	SUPPORT A PIVOT	1	\$103.88
30	1307880300	HEX. BOLT	BOULON HEXAGONAL	5	\$2.50
31	1307880310	WORK STOP	BUTEE DE LA COURROIE	1	\$27.48
32	1307880320	RETAINING RING/SHAFT	ANNEAU DE RETENU/TIGE	1	\$2.71
34	1307880340	BALL BEARING/RING	ROULEMENT A BILLES/ANNEAU	1	\$35.97
35	1307880350	BALL BEARING	ROULEMENT A BILLES	1	\$15.23
36	1307880360	DRIVE ROLLER	ROULEAU D'ENTRAINEMENT	1	\$60.88
37	1307880370	SET SCREW	VIS SANS TETE	2	\$2.58
38	1307880380	HEX. NUT	ECROU HEXAGONAL	2	\$1.88
39	1307880390	KEY	CLE DE RETENUE	1	\$2.99
40	1307880400	DRIVE SHAFT	TIGE D'ENTRAINEMENT	1	\$79.11
41	1307880410	CAP SCREW	BOULON A TETE CYLINDRIQUE	1	\$2.30
42	1307880420	LOCK KNOB	BOUTON DE SERRAGE	1	\$4.53
43	1307880430	SUPPORT BRACKET	SUPPORT	1	\$16.49
44	1307880440	RETAINING RING/SHAFT	ANNEAU DE RETENU/TIGE	9	\$1.88
45	1307880450	LOCK KNOB	BOUTON DE SERRAGE	2	\$4.53
46	1307880460	SLEEVE	MANCHON	1	\$15.23
47	1307880470	BALL BEARING	ROULEMENT A BILLES	3	\$13.43
48	1307880480	BELT TABLE HOUSING	BOITIER DE LA TABLE DE LA COURROIE	1	\$354.83

Pricing subject to change without prior notice. / Prix sujet à changement sans préavis.



Parts Pricing List / Liste de Prix des Pièces **KC-788FX**

Diag.	Order # Com.	English Description	Description Française	Qty./Qté.	Price/Prix
49	1307880490	BOTTOM BELT COVER	COUVERCLE DE LA COURROIE	1	\$39.72
50	1307880500	TENSION CAM	CAME DE TENSION	2	\$8.28
51	1307880510	LOCK KNOB	BOUTON DE SERRAGE	4	\$4.53
52	1307880520	BELT TENSION HANDLE	TIGE DE TENSION	1	\$24.56
53	1307880530	HANDLE KNOB	BOUTON DE LA POIGNEE	1	\$4.10
54	1307880540	POINTER	INDICATEUR	1	\$3.69
55	1307880550	ADJUSTING NUT	ECROU D'AJUSTEMENT	2	\$13.71
56	1307880560	SPRING	RESSORT	2	\$5.49
57	1307880570	SET SCREW	VIS SANS TETE	2	\$2.58
58	1307880580	HEX. NUT	ECROU HEXAGONAL	2	\$2.02
59	1307880590	SPRING WASHER	RONDELLE A RESSORT	2	\$2.02
60	1307880600	SET SCREW	VIS SANS TETE	1	\$2.02
61	1307880610	RIGHT ADJUSTING BAR	BARRE D'AJUSTEMENT (DROITE)	1	\$15.23
62	1307880620	LEFT ADJUSTING BAR	BARRE D'AJUSTEMENT (GAUCHE)	1	\$14.82
63	1307880630	BELT TABLE	TABLE DE LA COURROIE	1	\$138.52
64	1307880640	DRUM CAP	CAPUCHON DU TAMBOUR	2	\$5.36
65	1307880650	IDLER DRUM SHAFT	TIGE DU TAMBOUR	1	\$23.58
66	1307880660	IDLER DRUM	TAMBOUR	1	\$48.22
67	1307880670	MITER GAUGE KNOB	BOUTON DU GUIDE A ONGLETS	1	\$4.38
68	1307880680	WASHER	RONDELLE	1	\$2.02
69	1307880690	FIBER WASHER	RONDELLE DE FIBRE	1	\$2.30
70	1307880700	THREADED PIN	GOUPILLE FILLETEE	1	\$3.97
71	1307880710	FLANGE HD. SCREW	VIS A TETE BRIDEE	1	\$2.15
73	1307880730	ANGLE INDICATOR PLATE	PLAQUE INDICATRICE DES ANGLES	1	\$3.27
74	1307880740	STOPPER BLOCK	BLOC D'ARRET	1	\$5.08
75	1307880750	COUNTERSUNK HD. SCREW	VIS A TETE FRAISEE	2	\$2.02
76	1307880760	INDEXING PIN	GOUPILLE D'INDEXATION	1	\$3.82
77	1307880770	MITER GAUGE BAR	BARRE DU GUIDE A ONGLETS	1	\$15.23
78	1307880780	PAN HD. SCREW	VIS A TETE BOMBEE	3	\$2.15
79	1307880790	HEX. NUT	ECROU HEXAGONAL	3	\$1.88
80	1307880800	MITER GAUGE BODY	CORPS DU GUIDE A ONGLETS	1	\$48.34
81	1307880810	T-SLOT WASHER	RONDELLE DE LA RAINURE	1	\$3.69
82	1307880820	COUNTERSUNK SCREW	VIS A TETE FRAISEE	1	\$2.30
83	1307880830	GRAPHITE PAD	TAPIS DE GRAPHITE	1	\$45.57
84	1307880840	FLOOR CABINET (SPECIAL ORDER)	CABINET INDUSTRIEL	1	\$313.09
85	1307880850	HEX. NUT	ECROU HEXAGONAL	8	\$2.02
86	1307880860	WASHER	RONDELLE	15	\$1.88
87	1307880870	RUBBER FOOT	PIED EN CAOUTCHOUC	4	\$3.13
88	1307880880	CAP SCREW	BOULON A TETE CYLINDRIQUE	8	\$2.30
89	1307880890	STRAIN RELIEF	ATTACHE FIL	3	\$3.13
90	1307880900	DOOR KNOB	BOUTON DE LA PORTE	4	\$5.08
91	1307880910	CABINET DOOR	PORTE DU CABINET	1	\$109.72
92	1307880920	LOCKING NUT	ECROU DE VERROUILLAGE	4	\$2.71
93	1307880930	HEX. NUT	ECROU HEXAGONAL	1	\$2.02
94	1307880940	STAR WASHER	RONDELLE ETOILEE	1	\$2.15
95	1307880950	MOTOR PLATE	PLAQUE DU MOTEUR	1	\$41.39
96	1307880960	MOTOR WITH CORD	MOTEUR AVEC CORDON	1	\$346.48

Pricing subject to change without prior notice. / Prix sujet à changement sans préavis.



® Parts Pricing List / Liste de Prix des Pièces **KC-788FX**

Diag.	Order # Com.	English Description	Description Française	Qty./Qté.	Price/Prix
97	1307880970	MOTOR PULLEY	POULIE DU MOTEUR	1	\$22.19
98	1307880980	SET SCREW	VIS SANS TETE	1	\$2.02
99	1307880990	KEY	CLE DE RETENUE	1	\$2.58
100	1307881000	BELT TENSION BRACKET	SUPPORT DE TENSION/COURROIE	1	\$13.71
101	1307881010	WASHER	RONDELLE	9	\$1.95
102	1307881020	CAP SCREW	BOULON A TETE CYLINDRIQUE	3	\$2.30
103	1307881030	DISC COVER BRACKET	ADAPTATEUR DU COLLECTEUR	1	\$40.00
104	1307881040	DUST COLLECTOR PORT	SORTIE POUR COLLECTEUR DE POUSS.	1	\$18.02
105	1307881050	CAP SCREW	BOULON A TETE CYLINDRIQUE	8	\$1.82
106	1307881060	CAP SCREW	BOULON A TETE CYLINDRIQUE	4	\$2.30
107	1307881070	SWITCH BOX	BOITIER DE L'INTERRUPTEUR	1	\$10.22
108	1307881080	SWITCH (2 PRONG)	INTERRUPTEUR (2 PATTES)	1	\$9.26
109	1307881090	CIRCUIT BREAKER	RELAJ DE SURCHARGE	1	\$16.45
110	1307881100	LOCK KNOB	BOUTON DE VERROUILLAGE	1	\$3.97
111	1307881110	DUST HOOD	SORTIE DE POUSSIERE	1	\$30.13
111-1	1307881111	MITER GAUGE ASS'Y	GUIDE A ONGLETS ASS.	1	\$51.28
112	1307881120	LOCK KNOB	BOUTON DE VERROUILLAGE	1	\$5.08
113	1307881130	HEX. BOLT	BOULON HEXAGONAL	1	\$10.22
114	1307881140	BASE	SOCLE	1	\$178.11
115	1307881150	CAP SCREW	BOULON A TETE CYLINDRIQUE	4	\$2.86
116	1307881160	DUST HOOD BASE	SUPPORT DE SORTIE	1	\$27.62
117	1307881170	POWER CORD	CORDON D'ALIMENTATION	1	\$21.78
118	1307881180	SWITCH CORD	CORDON DE L'INTERRUPTEUR	1	\$13.84
119	1307881190	TERMINAL CONNECTOR	FIL DE CONNECTION	1	\$3.13
120	1307881200	HEX. BOLT	BOULON HEXAGONAL	4	\$2.43
121	1307881210	HEX. BOLT	BOULON HEXAGONAL	1	\$2.30
122	1307881220	HEX. NUT	ECROU HEXAGONAL	1	\$2.15
	130788MBIL	BILINGUAL MANUAL KC-788FX	MANUEL BILINGUE KC-788FX	1	\$18.15