

Service Manual / Manuel de Service

17" Wood Bandsaw with Resaw Guide

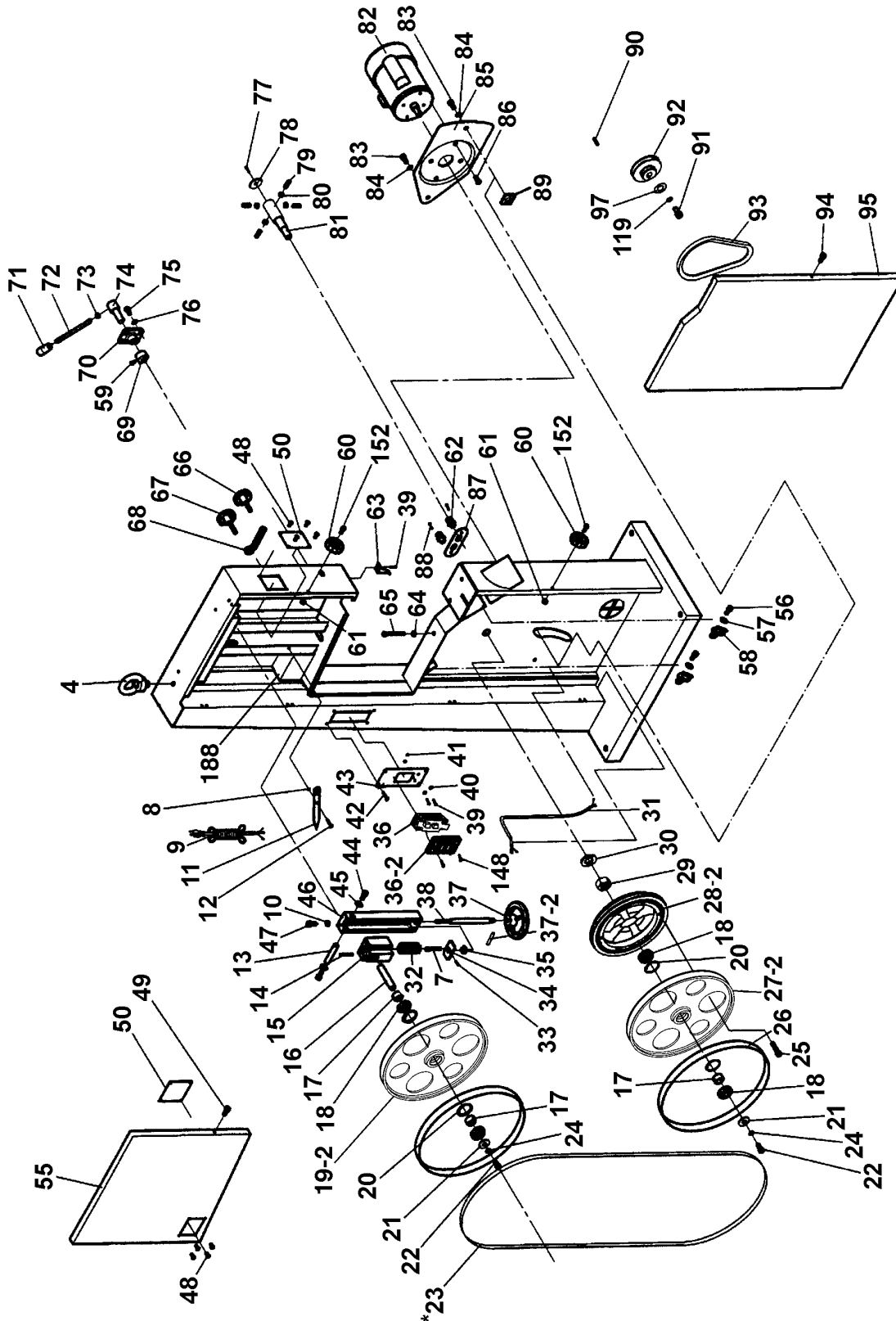
Scie à Ruban de 17" pour le Bois avec Guide à Dédoublage



Revised/Revisé 10/27/2015

Main Diagram / Diagramme Principale

KC-1702FXR



Service Manual / Manuel de Service

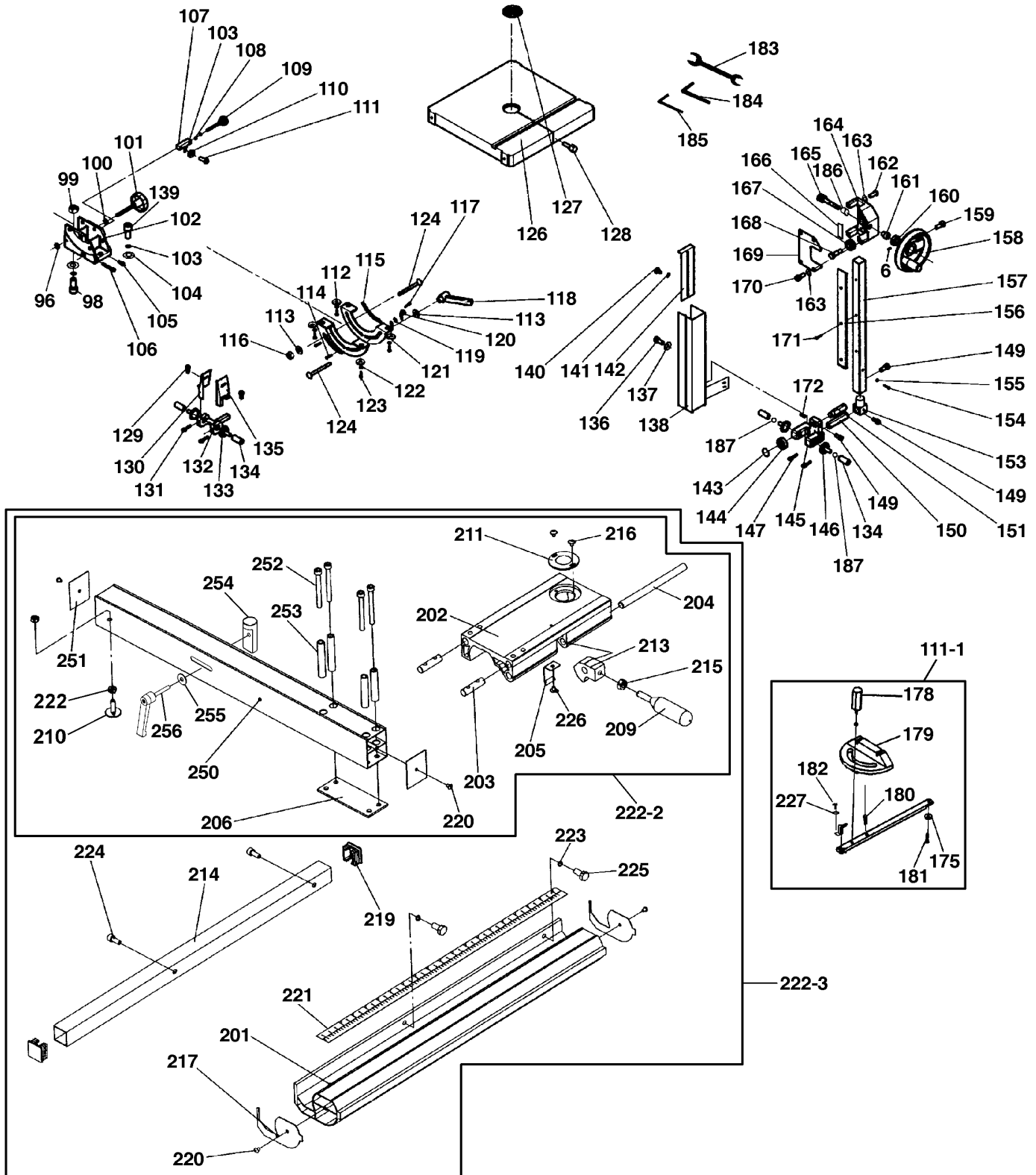
17" Wood Bandsaw with Resaw Guide

Scie à Ruban de 17" pour le Bois avec Guide à Dédoublage



Table & Fence Diagram / Diagramme de la Table et du Guide

KC-1702FXR





® Parts Pricing List / Liste de Prix des Pièces **KC-1702FXR**

Diag.	Order # Com.	English Description	Description Française	Qty./Qté.	Price/Prix
4	1317020040	LIFTING HOOK	CROCHET DE LEVAGE	1	\$8.14
6	1317020060	SET SCREW	VIS SANS TETE	1	\$2.02
7	1317020070	BUSHING	BAGUE	1	\$5.36
8	1317020080	WASHER	RONDELLE	1	\$1.88
9	1317020090	POWER CORD	CORDON D'ALIMENTATION	1	\$38.76
10	1317020100	HEX. NUT	ECROU HEXAGONAL	1	\$1.95
11	1317020110	POINTER	INDICATEUR	1	\$4.66
12	1317020120	SHOULDER SCREW	VIS A EPAULEMENT	1	\$3.13
13	1317020130	UPPER SHAFT	TIGE SUPERIEURE	1	\$7.31
14	1317020140	SPRING PIN	GOUPILLE A RESSORT	1	\$2.02
15	1317020150	UPPER WHEEL SHAFT HINGE	CHARNIERE DE LA TIGE	1	\$24.84
16	1317020160	UPPER WHEEL SHAFT	TIGE DE LA ROUE	1	\$11.62
17	1317020170	BUSHING	BAGUE D'ESPACEMENT	3	\$5.92
18	1317020180	BALL BEARING	ROULEMENT A BILLES	4	\$27.76
19-2	1317020192	CAST IRON UPPER WHEEL	ROUE DU HAUT EN FONTE D'ACIER	1	\$173.86
20	1317020200	RETAINING RING/BORE	ANNEAU DE RETENU/ALESAGE	4	\$3.82
21	1317020210	WASHER	RONDELLE	2	\$2.58
22	1317020220	CAP SCREW	BOULON A TETE CYLINDRIQUE	2	\$2.09
23	KBB-17**	BLADE	LAME	1	-
24	1317020240	SPRING WASHER	RONDELLE A RESSORT	2	\$2.02
25	1317020250	CAP SCREW	BOULON A TETE CYLINDRIQUE	6	\$3.34
26	1317020260	WHEEL PROTECTOR	PROTECTEUR DE ROUE	2	\$27.76
27-2	1317020272	CAST IRON LOWER WHEEL	ROUE DU BAS EN FONTE D'ACIER	1	\$173.86
28-2	1317020282	CAST IRON IDLE PULLEY	POULIE DE LA ROUE EN FONTE D'ACIER	1	\$97.33
29	1317020290	HEX. NUT	ECROU HEXAGONAL	1	\$6.75
30	1317020300	SPRING WASHER	RONDELLE A RESSORT	1	\$3.27
31	1317020310	MOTOR CORD	CORDON DU MOTEUR	1	\$16.07
32	1317020320	SPRING	RESSORT	1	\$11.89
33	1317020330	SPRING PIN	GOUPILLE A RESSORT	1	\$2.43
34	1317020340	LOCATE BLOCK	PLAQUE DE LOCALISATION	1	\$5.36
35	1317020350	THRUST BEARING	ROULEMENT A BUTEE	1	\$46.95
36	1317020360	LRG BUTTON START-STOP SWITCH	INTERRUPTEUR A BOUTON LARGE	1	\$41.67
36-2	1317020362	SQ. BUTTON (LRG) SWITCH COVER	PLAQUE D'INTERR./BOUTON CAR. (LRG)	1	\$22.19
37	1317020370	TENSION HANDWHEEL	MANIVELLE DE TENSION	1	\$26.37
37-2	1317020372	SET SCREW	VIS SANS TETE	1	\$1.88
38	1317020380	ADJUSTING BOLT	BOULON D'AJUSTEMENT	1	\$30.41
39	1317020390	FLANGE HD SCREW	VIS A TETE BRIDEE	3	\$2.02
40	1317020400	TOOTH WASHER	RONDELLE DENTELEE	4	\$2.02
41	1317020410	HEX. NUT	ECROU HEXAGONAL	2	\$1.88
42	1317020420	FLANGE HD SCREW	VIS A TETE BRIDEE	4	\$2.02
43	1317020430	METAL SWITCH PLATE	PLAQUE EN METAL POUR L'INTERR.	1	\$8.14
44	1317020440	CAP SCREW	BOULON A TETE CYLINDRIQUE	2	\$2.15
45	1317020450	WASHER	RONDELLE	2	\$1.95
46	1317020460	UPPER WHEEL SLIDING BRACKET	SUPPORT COULISSANT POUR ROUE	1	\$33.32
47	1317020470	CAP SCREW	BOULON A TETE CYLINDRIQUE	1	\$3.34
48	1317020480	RIVET	RIVET	8	\$1.88
49	1317020490	CAP SCREW	BOULON A TETE CYLINDRIQUE	1	\$2.71

Pricing subject to change without prior notice. / Prix sujet à changement sans préavis.



® Parts Pricing List / Liste de Prix des Pièces **KC-1702FXR**

Diag.	Order # Com.	English Description	Description Française	Qty./Qté.	Price/Prix
50	1317020500	TENSION WINDOW	FENETRE DE VISUALISATION/TENSION	2	\$4.66
55	1317020550	UPPER WHEEL DOOR	PORTE DU HAUT	1	\$104.36
56	1317020560	CAP SCREW	BOULON A TETE CYLINDRIQUE	2	\$3.27
57	1317020570	WASHER	RONDELLE	2	\$1.88
58	1317020580	BRUSH	BROSSE	2	\$6.75
59	1317020590	CAP SCREW	BOULON A TETE CYLINDRIQUE	1	\$3.27
60	1317020600	LOCK DOOR KNOB	BOUTON DE VERROUILLAGE/ PORTE	2	\$5.36
61	1317020610	NYLON HEX. NUT	ECROU HEXAGONAL AVEC NYLON	2	\$2.58
62	1317020620	STRAIN RELIEF (16MM HOLE)	ATTACHE CORDON (TROU 16MM)	2	\$3.13
63	1317020630	HEIGHT POINTER	INDICATEUR DE HAUTEUR	1	\$3.41
64	1317020640	HEX. NUT	ECROU HEXAGONAL	1	\$1.95
65	1317020650	HEX. BOLT	BOULON HEXAGONAL	1	\$4.53
66	1317020660	SCREW KNOB	BOUTON DE SERRAGE	1	\$5.22
67	1317020670	SCREW KNOB	BOUTON DE SERRAGE	1	\$6.05
68	1317020680	LOCK HANDLE	POIGNEE DE VERROUILLAGE	1	\$5.49
69	1317020690	CAM	CAME	1	\$6.88
70	1317020700	HOLDER BRACKET	SUPPORT DE RETENUE	1	\$26.23
71	1317020710	LEVER ROD KNOB	BOUTON DU LEVIER	1	\$5.49
72	1317020720	LEVER ROD	TIGE DE LEVIER	1	\$5.36
73	1317020730	HEX. NUT	ECROU HEXAGONAL	1	\$2.15
74	1317020740	SHAFT	TIGE	1	\$19.28
75	1317020750	PAN HD ALLEN SCREW	VIS TETE BOMBEE A DOUILLE HEX.	4	\$2.58
76	1317020760	SPRING WASHER	RONDELLE A RESSORT	4	\$2.02
77	1317020770	FLANGE HD SCREW	VIS A TETE BRIDEE	1	\$2.02
78	1317020780	LARGE WASHER	RONDELLE LARGE	1	\$3.69
79	1317020790	SET SCREW	VIS SANS TETE	4	\$2.43
80	1317020800	HEX. NUT	ECROU HEXAGONAL	4	\$1.95
81	1317020810	LOWER WHEEL SHAFT	TIGE DE LA ROUE DU BAS	1	\$47.11
82	1317020820	MOTOR	MOTEUR	1	\$485.63
83	1317020830	CAP SCREW	BOULON A TETE CYLINDRIQUE	2	\$2.37
84	1317020840	SPRING WASHER	RONDELLE A RESSORT	2	\$1.88
85	1317020850	MOTOR BRACKET	SUPPORT DU MOTEUR	1	\$39.87
86	1317020860	PAN HD ALLEN SCREW	VIS TETE BOMBEE A DOUILLE HEX.	4	\$2.58
87	1317020870	ELECTRICAL PLATE	PLAQUE ELECTRIQUE	1	\$3.97
88	1317020880	FLANGE HD SCREW	VIS A TETE BRIDEE	2	\$2.02
89	1317020890	ADJUSTING BRACKET	SUPPORT POUR AJUSTEMENT	1	\$3.97
90	1317020900	KEY	CLE DE RETENUE	1	\$2.71
91	1317020910	HEX. BOLT (LEFT)	BOULON HEXAGONAL (GAUCHE)	1	\$3.27
92	1317020920	MOTOR PULLEY	POULIE DU MOTEUR	1	\$27.62
93	1317020930	V-BELT	COURROIE EN "V"	1	\$18.02
94	1317020940	CAP SCREW	BOULON A TETE CYLINDRIQUE	1	\$2.71
95	1317020950	LOWER WHEEL DOOR	COUVERCLE DU BAS	1	\$136.37
97	1317020970	SPECIAL FLAT WASHER	RONDELLE SPECIALE	1	\$2.58
98	1317020980	CAP SCREW	BOULON A TETE CYLINDRIQUE	1	\$2.71
99	1317020990	HEX. NUT	ECROU HEXAGONAL	1	\$2.09
100	1317021000	GEAR (SMALL)	ENGRENAGE (PETITE)	2	\$5.36
101	1317021010	LOCK KNOB	BOUTON DE VERROUILLAGE	1	\$13.01

Pricing subject to change without prior notice. / Prix sujet à changement sans préavis.



Parts Pricing List / Liste de Prix des Pièces **KC-1702FXR**

Diag.	Order # Com.	English Description	Description Française	Qty./Qté.	Price/Prix
102	1317021020	TRUNNION SUPPORT BRACKET	SUPPORT DU TOURILLON	1	\$40.84
103	1317021030	SPRING WASHER	RONDELLE A RESSORT	3	\$1.88
104	1317021040	WASHER	RONDELLE	2	\$1.88
105	1317021050	CAP SCREW	BOULON A TETE CYLINDRIQUE	1	\$2.99
106	1317021060	CAP SCREW	BOULON A TETE CYLINDRIQUE	1	\$3.69
107	1317021070	ADJUSTING BRACKET	SUPPORT D'AJUSTEMENT	1	\$8.28
108	1317021080	HEX. NUT	ECROU HEXAGONAL	2	\$1.95
109	1317021090	ADJUSTING BOLT	BOULON D'AJUSTEMENT	1	\$4.53
110	1317021100	BALL BEARING	ROULEMENT A BILLES	1	\$15.23
111	1317021110	PAN HD ALLEN SCREW	VIS TETE BOMBEE A DOUILLE HEX.	1	\$2.99
111-1	1317021111	COMPLETE MITER GAUGE ASS'Y	GUIDE A ONGLETS COMPLET ASS.	1	\$50.02
112	1317021120	WASHER	RONDELLE	4	\$1.95
113	1317021130	WASHER	RONDELLE	2	\$1.95
114	1317021140	PAN HD SCREW	VIS A TETE BOMBEE	4	\$1.88
115	1317021150	GEAR PLATE	ENGRENAGE PLAT	2	\$6.75
116	1317021160	NYLON HEX. NUT	ECROU HEXAGONAL AVEC NYLON	1	\$2.02
117	1317021170	PAN HD SCREW	VIS A TETE BOMBEE	1	\$1.88
118	1317021180	HANDLE	POIGNEE	1	\$11.62
119	1317021190	WASHER	RONDELLE	2	\$1.88
120	1317021200	POINTER	INDICATEUR	1	\$2.43
121	1317021210	TRUNNION PLATE	TOURILLON	2	\$13.01
122	1317021220	SPRING WASHER	RONDELLE A RESSORT	4	\$2.02
123	1317021230	HEX. BOLT	BOULON HEXAGONAL	4	\$2.02
124	1317021240	CARRIAGE BOLT	BOULON A CARROSSERIE	2	\$3.41
126	1317021260	TABLE	TABLE	1	\$304.74
127	1317021270	TABLE INSERT	INSERTION DE TABLE	1	\$9.99
128	1317021280	TABLE PIN	GOUPILLE DE LA TABLE	1	\$4.66
129	1317021290	CAP SCREW	BOULON A TETE CYLINDRIQUE	2	\$2.02
130	1317021300	LEFT COVER	COUVERCLE GAUCHE	1	\$5.22
131	1317021310	THUMB SCREW	VIS PAPILLON	4	\$2.99
132	1317021320	LOWER BLADE GUIDE SUPPORT	SUPPORT DE GUIDE DE LAME (BAS)	1	\$13.01
133	1317021330	BLADE GUIDE	GUIDE DE LAME	2	\$5.08
134	1317021340	BLADE GUIDE BUSHING	BAGUE DU GUIDE DE LAME	4	\$5.49
135	1317021350	RIGHT COVER	COUVERCLE DROIT	1	\$5.22
136	1317021360	CAP SCREW	BOULON A TETE CYLINDRIQUE	2	\$2.15
137	1317021370	WASHER	RONDELLE	2	\$1.88
138	1317021380	PROTECT COVER	COUVERCLE DE SECURITE	1	\$44.46
139	1317021390	CAP SCREW	BOULON A TETE CYLINDRIQUE	1	\$2.71
140	1317021400	SHOULDER SCREW	VIS AVEC EPAULEMENT	1	\$3.13
141	1317021410	NYLON WASHER	RONDELLE EN NYLON	1	\$1.88
142	1317021420	SLIDING PLATE	PLAQUE DE COULISSEMENT	1	\$9.39
143	1317021430	RETAINING RING/SHAFT	ANNEAU DE RETENU/TIGES	1	\$1.88
144	1317021440	BALL BEARING	ROULEMENT A BILLES	1	\$13.84
145	1317021450	UPPER BLADE GUIDE SUPPORT	SUPPORT DE GUIDE DE LAME (HAUT)	1	\$19.41
146	1317021460	BLADE GUIDE	GUIDE DE LAME	2	\$5.08
147	1317021470	THUMB SCREW	VIS A PAPILLON	2	\$2.99
148	1317021480	PAN HD SCREW	VIS A TETE BOMBEE	2	\$2.02

Pricing subject to change without prior notice. / Prix sujet à changement sans préavis.



® Parts Pricing List / Liste de Prix des Pièces **KC-1702FXR**

Diag.	Order # Com.	English Description	Description Française	Qty./Qté.	Price/Prix
149	1317021490	CAP SCREW	BOULON A TETE CYLINDRIQUE	3	\$2.71
150	1317021500	ADJUSTING BAR	BARRE D'AJUSTEMENT	1	\$5.92
151	1317021510	UPPER SPACING SLEEVE	MANCHON D'ESPACEMENT	1	\$6.47
152	1317021520	CAP SCREW	BOULON A TETE CYLINDRIQUE	2	\$2.99
153	1317021530	UPPER GUIDE SUPPORT BLOCK	BLOC SUPPORT DU GUIDE	1	\$13.56
154	1317021540	PAN HD SCREW	VIS A TETE BOMBEE	1	\$1.88
155	1317021550	HEX. NUT	ECROU HEXAGONAL	1	\$1.88
156	1317021560	RACK	CREMAILLIERE	1	\$19.28
157	1317021570	UPPER GUIDE POST	TIGE DU GUIDE	1	\$20.80
158	1317021580	HANDWHEEL WITH HANDLE	MANIVELLE AVEC POIGNEE	1	\$55.45
159	1317021590	CAP SCREW	BOULON A TETE CYLINDRIQUE	1	\$3.27
160	1317021600	BUSHING	BAGUE	1	\$3.97
161	1317021610	SHOULDER BUSHING	BAGUE AVEC EPAULEMENT	1	\$5.22
162	1317021620	RD HD ALLEN SCREW	VIS A TETE RONDE (ALLEN)	4	\$2.58
163	1317021630	SPRING WASHER	RONDELLE A RESSORT	8	\$2.02
164	1317021640	GUIDE BRACKET	SUPPORT DU GUIDE	1	\$33.19
165	1317021650	WORM GEAR SHAFT	TIGE A ENGRENAGE SANS FIN	1	\$19.13
166	1317021660	FIXED PLATE	PLAQUE DE FIXATION	1	\$4.53
167	1317021670	GEAR	ENGRENAGE	1	\$19.13
168	1317021680	SHOULDER BOLT	BOULON AVEC EPAULEMENT	1	\$15.10
169	1317021690	GUIDE BRACKET COVER	COUVERCLE DU SUPPORT DU GUIDE	1	\$5.49
170	1317021700	RD HD ALLEN SCREW	VIS A TETE RONDE (ALLEN)	4	\$2.58
171	1317021710	COUNTERSUNK SCREW	VIS A TETE FRAISEE	3	\$2.02
172	1317021720	SET SCREW	VIS SANS TETE	1	\$2.02
175	1317021750	GUIDE WASHER (T-SLOT)	RONDELLE GUIDE EN "T"	1	\$4.10
178	1317021780	LOCK HANDLE	POIGNEE DE VERROUILLAGE	1	\$9.53
179	1317021790	MITER GAUGE BODY	CORPS DU GUIDE A ONGLETS	1	\$26.09
180	1317021800	STRAIGHT PIN	GOUPILLE DROITE	1	\$3.27
181	1317021810	COUNTERSUNK SCREW	VIS A TETE FRAISEE	1	\$2.71
182	1317021820	FLANGE HD SCREW	VIS A TETE BRIDEE	1	\$1.82
183	1317021830	OPEN END KEY (10-13)	CLE OUVERTE (10-13)	1	\$13.56
184	1317021840	8MM HEX. KEY	CLE HEXAGONAL 8MM	1	\$3.69
185	1317021850	5MM HEX. KEY	CLE HEXAGONAL 5MM	1	\$3.41
186	1317021860	BUSHING	BAGUE D'ESPACEMENT	1	\$4.94
187	1317021870	STEEL BALL	BILLE EN ACIER	2	\$4.84
188	1317021880	BLADE TENSION SCALE LABEL	ETIQUETTE D'ECHELLE DE TENSION	1	\$11.06
201	1317022010	FIXED BASE RAIL	BARRE DE FIXATION DU GUIDE	1	\$78.69
202	1317022020	ADJUST BASE	SOCLE D'AJUSTEMENT DU GUIDE	1	\$69.37
203	1317022030	FIXED SHAFT	TIGE DE FIXATION	2	\$6.88
204	1317022040	LOCKING CLAMP SHOE SHAFT	TIGE DE VERROUILLAGE DU SABOT	1	\$8.00
205	1317022050	SPRING BLADE	LAME A RESSORT	1	\$4.53
206	1317022060	FENCE PLATE	PLAQUE DU GUIDE	1	\$5.49
209	1317022090	CLAMPING SHOE HANDLE	POIGNEE DU SABOT DU VERR.	1	\$12.45
210	1317022100	ADJUSTABLE FOOT	PIED AJUSTABLE	1	\$12.45
211	1317022110	MAGNIFYING GLASS	LOUPE	1	\$6.47
213	1317022130	CLAMP SHOE	SABOT DE VERROUILLAGE	1	\$10.93
214	1317022140	SQUARE TUBE (REAR)	TUBULAIRE CARRE (ARRIERE)	1	\$20.39

Pricing subject to change without prior notice. / Prix sujet à changement sans préavis.



® Parts Pricing List / Liste de Prix des Pièces **KC-1702FXR**

Diag.	Order # Com.	English Description	Description Française	Qty./Qté.	Price/Prix
215	1317022150	HEX. NUT	ECROU HEXAGONAL	1	\$1.95
216	1317022160	FLANGE HD SCREW	VIS A TETE BRIDEE	2	\$2.02
217	1317022170	RAIL END PLATE	PLAQUE DE BOUT DE LA BARRE	2	\$6.05
219	1317022190	PLASTIC END CAP	CAPUCHON DU BOUT EN PLASTIQUE	2	\$3.27
220	1317022200	TAPPING SCREW	VIS AUTOTARAUDEUSE	4	\$2.02
221	1317022210	MEASURING TAPE	RUBAN A MESURER	1	\$9.53
222	1317022220	HEX. NUT	ECROU HEXAGONAL	2	\$1.95
222-2	1317022222	RIP FENCE ASS'Y (ONLY)	GUIDE A REFENDRE ASS. (SEUL.)	1	\$180.41
222-3	1317022223	COMP. RIP FENCE SYSTEM W/RAIL	SYS. DE GUIDE A REFENDRE COMP.	1	\$235.16
223	1317022230	SPRING WASHER	RONDELLE A RESSORT	2	\$1.88
224	1317022240	CAP SCREW	BOULON A TETE CYLINDRIQUE	2	\$2.71
225	1317022250	HEX. BOLT	BOULON HEXAGONAL	2	\$2.15
226	1317022260	FLANGE HD SCREW	VIS A TETE BRIDEE	1	\$1.88
227	1317022270	WASHER	RONDELLE	1	\$2.02
250	1317022500	LARGER TUBULAR FENCE	GRAND GUIDE TUBULAIRE	1	\$80.63
251	1317022510	LARGER FENCE END PLATE	GRANDE PLAQUE DU BOUT DE GUIDE	2	\$4.10
252	1317022520	CAP SCREW	BOULON A TETE CYLINDRIQUE	4	\$4.38
253	1317022530	FENCE SLEEVE	MANCHON DU GUIDE	4	\$4.53
254	1317022540	RESAW GUIDE POST	GUIDE A DEDOUBLEMENT	1	\$5.49
255	1317022550	WASHER	RONDELLE	1	\$2.02
256	1317022560	LOCK HANDLE	POIGNEE DE VERROUILLAGE	1	\$12.45
	131702MBIL	BILINGUAL MANUAL KC-1702FXR	MANUEL BILINGUE KC-1702FXR	1	\$18.15