

ES1050 Course

Electronics Shop Services

Room SEB 3105



Electronics Shop - Services

SEB 3105

www.eng.uwo.ca/electrical/e-shop/

Is there an Electrical component to your design project?

Electronics Shop personnel has over 50 years of experience in the field. We help Graduate and Undergraduate Students, Researchers and Professors throughout Engineering with their electrical and electronics needs.

For ES1050 we can provide consultation, guidance, and support in the following areas:

- Electrical / Electronic wiring, design, construction, and measurement
- In design feasibility, problem areas, and alternative solutions
- In parts availability, selection, and procurement
- CSA and ESA Electrical safety issues and standards



Electronics Shop - Services

SEB 3105

www.eng.uwo.ca/electrical/e-shop/

Procurement and sales of electronic parts and supplies

- § The Electronics Shop stocks a wide variety of electronics parts. Visit us to see if we have the parts you require.
- If we do not have what you need, you can order the parts through us by filling out a [Parts Request Form](#). We prefer that any ordered parts come from one of the following suppliers:



digikey.com/ca



e-sonic.com



canada.newark.com

Electronics Shop - Services

SEB 3105

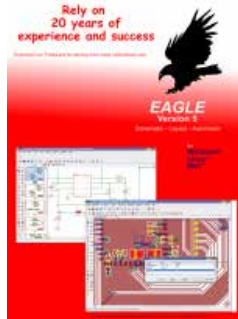
www.eng.uwo.ca/electrical/e-shop/

Printed Circuit Board Etching

Printed Circuit Board Files:

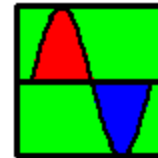
Electronics Shop preferred programs for making PCBs (Gerber files also accepted):

Eagle



cadsoft.de

CirCAD



HOLOPHASE
INCORPORATED

holophase.com

Both Eagle and CirCAD have free evaluation software available for download.

Pricing Information:

Negative transparency: \$2.50/sheet

Double-sided circuit board: \$0.50/in²

Single-sided circuit board: \$0.40/in²

Electronics Shop - Services

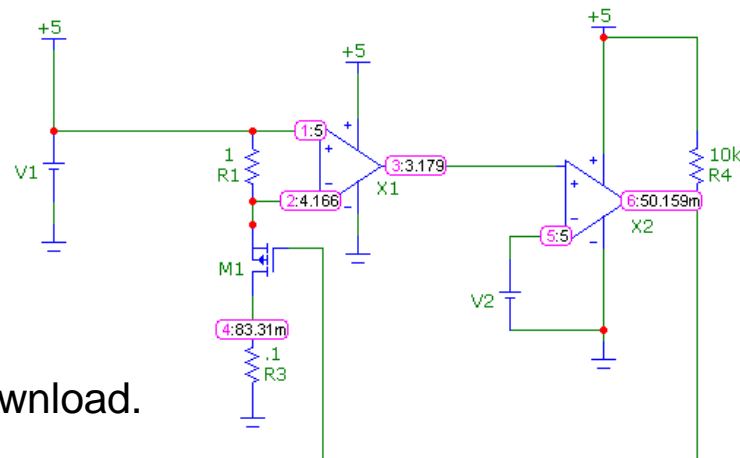
SEB 3105

www.eng.uwo.ca/electrical/e-shop/

Electronic Simulation

Micro-Cap is a SPICE compatible analog/digital circuit simulator with an integrated schematic editor that provides an interactive sketch and simulation environment for engineers.

Micro Cap



www.spectrum-soft.com

Evaluation Version software available for download.

Electronics Shop - Services

SEB 3105

www.eng.uwo.ca/electrical/e-shop/

ES1050 design modules:

- Strain gauge amplifier
- Sharp distance sensor
- Thermocouple amplifier
- Temperature sensor
- Accelerometer
- Pressure sensor
- Flex / touch sensor
- Resistive light sensor



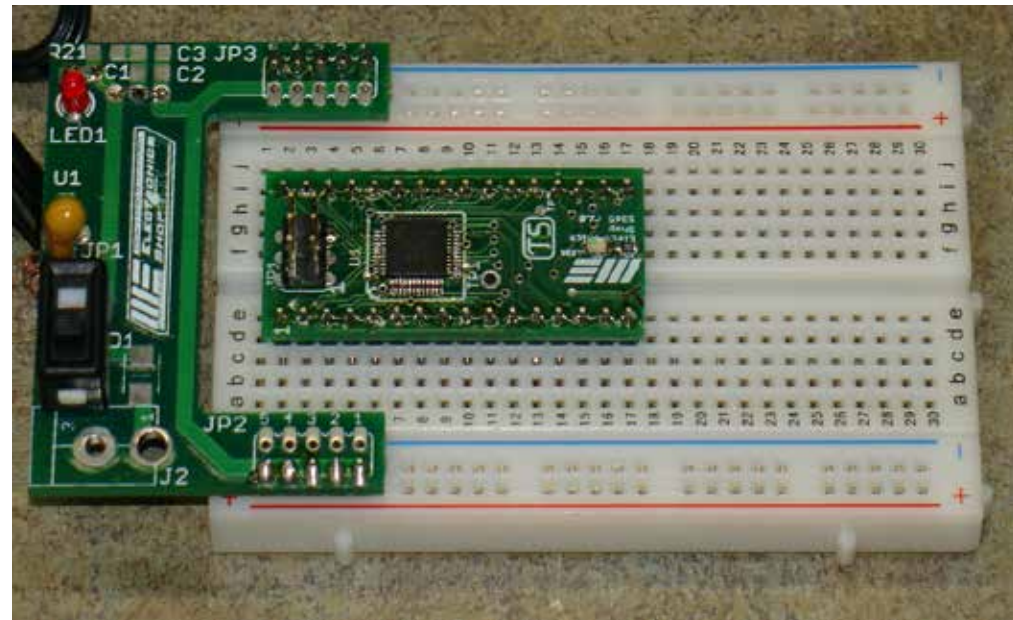
Electronics Shop - Services

SEB 3105

www.eng.uwo.ca/electrical/e-shop/

Auxiliary Boards:

- Power supply boards
- Motorola u-Controllers
- Surface to DIP adaptors
- Motor drive boards



Electronics Shop - Services

SEB 3105

www.eng.uwo.ca/electrical/e-shop/

